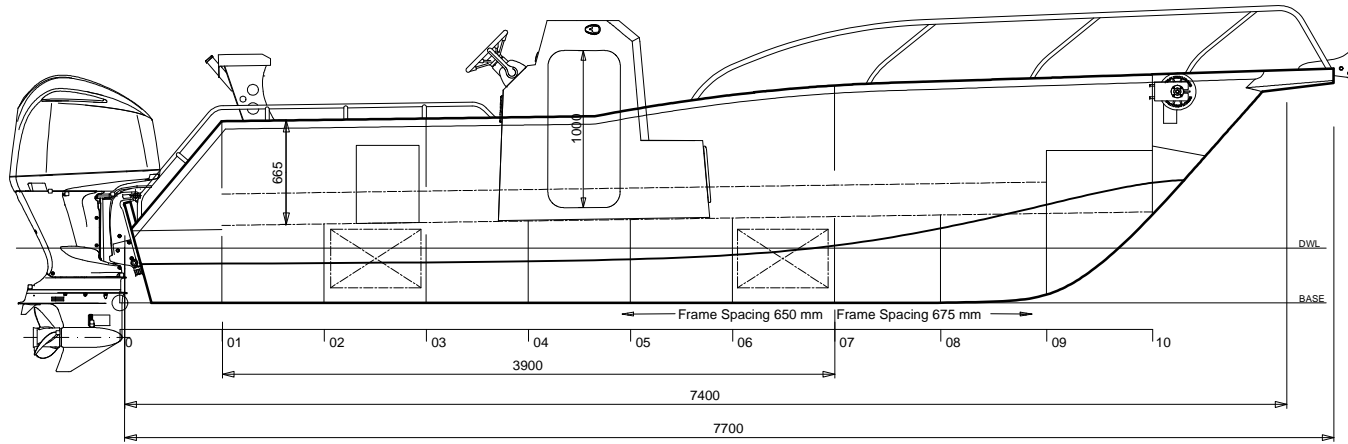


7.4m CENTRE CONSOLE GENERAL ARRANGEMENT

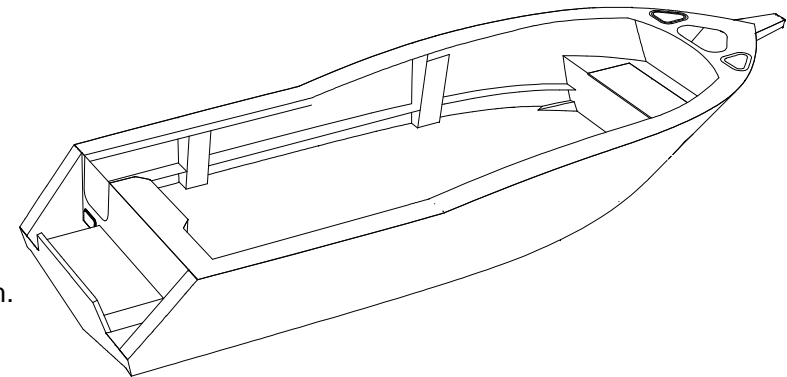
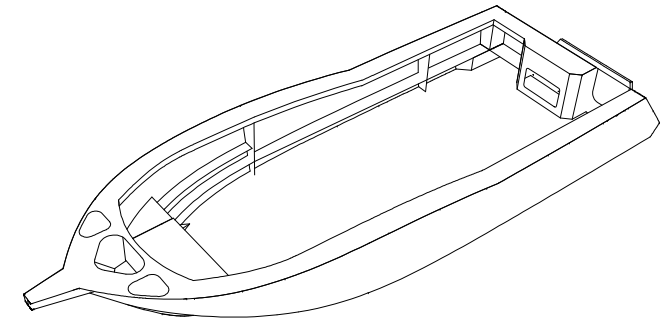
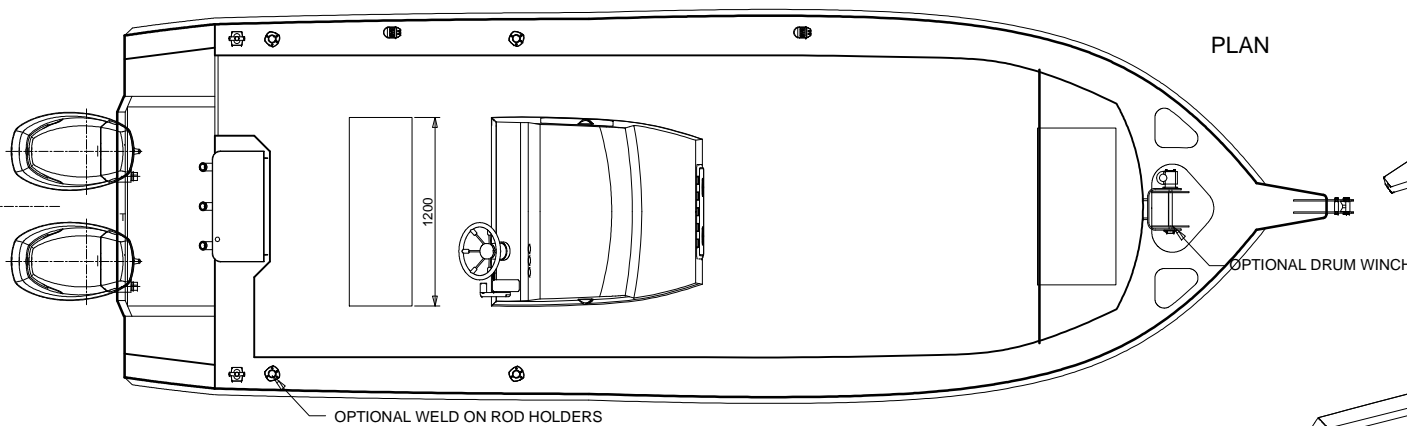
PROFILE



PRINCIPAL PARTICULARS

LOA	7.70 metres	LOH	6.32
7.40 metres	Lwl	6.32	
metres	Beam (Hull Only)	2.45	
metres	Design Draft	0.40	
metres	Displacement (Dry)	2.0	
tonnes	Height above keel	2.5	
metres	Deck to Gunwale (min)	0.67	
metres			

PLAN



www.platealloy.com

Note: Layout can be customised by owner

○ AUSTRALIAN BUILDERS PLATE ○

BUILDER "YOUR NAME"

HIN AU "SEE REGISTRATION"

Max \uparrow \equiv 250 hp

\equiv 300 kg

Max \uparrow \equiv 480 kg

Max \uparrow \equiv 1000 kg

Buoyancy BASIC Flotation

Alteration of the boat's hull or permanent fittings may invalidate the particulars on this plate.

A REDUCTION IN MAXIMUM NUMBER OF PERSONS MUST BE MADE IN ADVERSE WEATHER CONDITIONS OR WHEN ON THE OPEN SEA.

- Design in compliance with AS1799-1 2009
- Structure in accordance with ISO 12215
- Material:
 - Bottom, Chine, Transom & Stringers, 6mm 5083 aluminium.
 - Sides, Deck, Shelves etc. 4mm 5083 aluminium
- Builders plate, Jig, Drawings & Photo CD included with kit.
- Bollards, Scuppers, Inspection port & Drain plug included in the kit.
- 5 days per week helpdesk available
- Customization available.
- Flotation foam & most fit out parts available, check catalogue for pricing.
- HIN number engraved in kit & registered.

ACTUAL KIT MIGHT DIFFER FROM PICTURES SHOWN

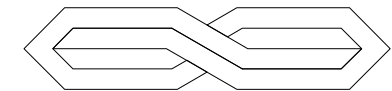


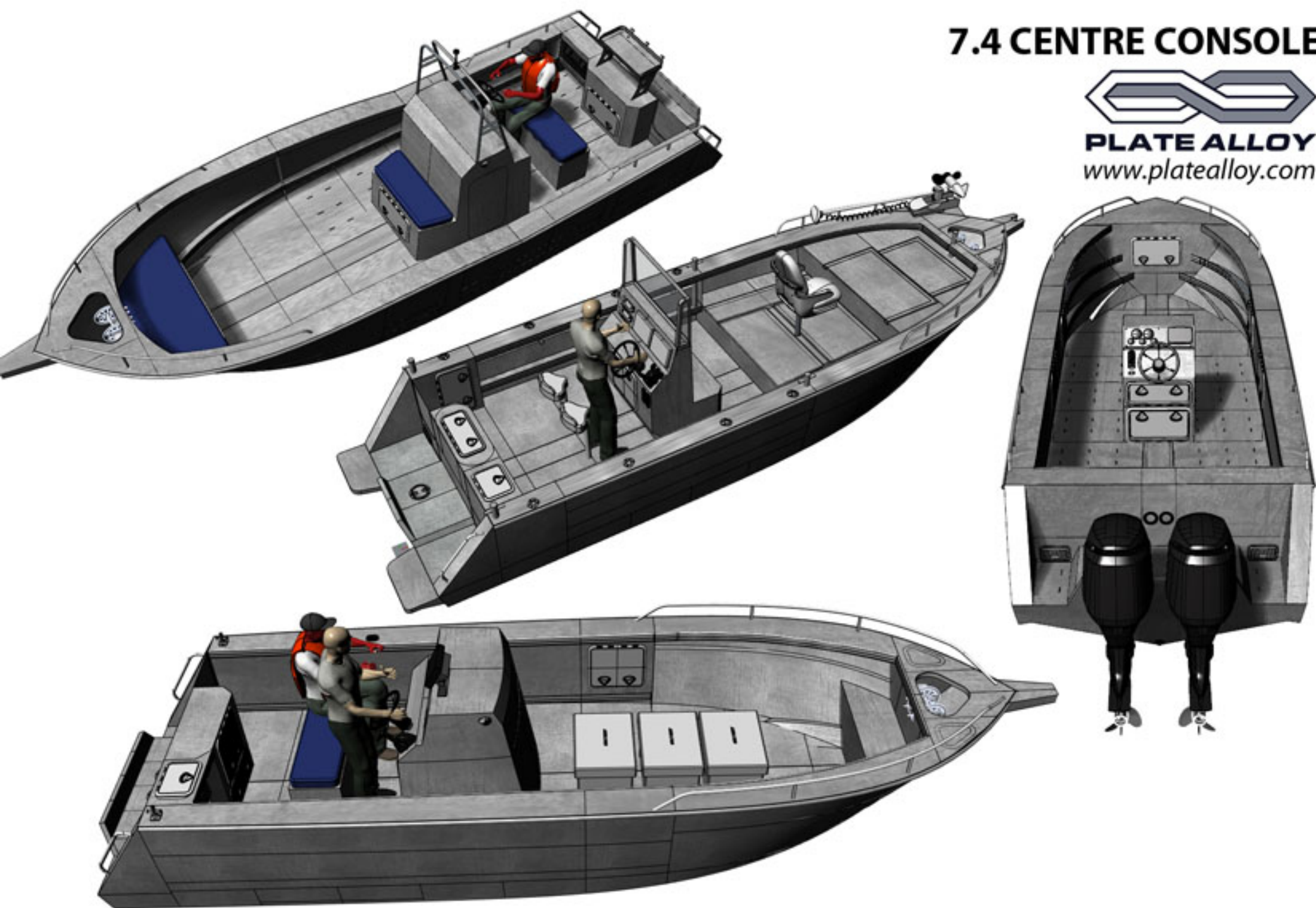
PLATE ALLOY

7.4 CENTRE CONSOLE



PLATE ALLOY

www.platealloy.com

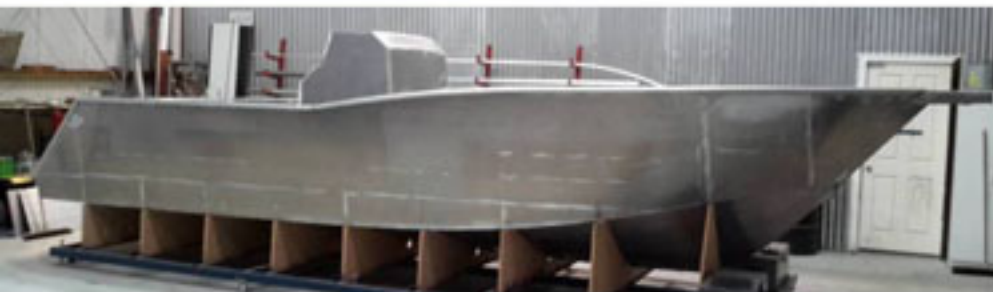


Different Console Option available, Custom change include casting deck option.

7.4 CENTRE CONSOLE



PLATE ALLOY
www.platealloy.com



Different Console Option available, Custom change include casting deck option.