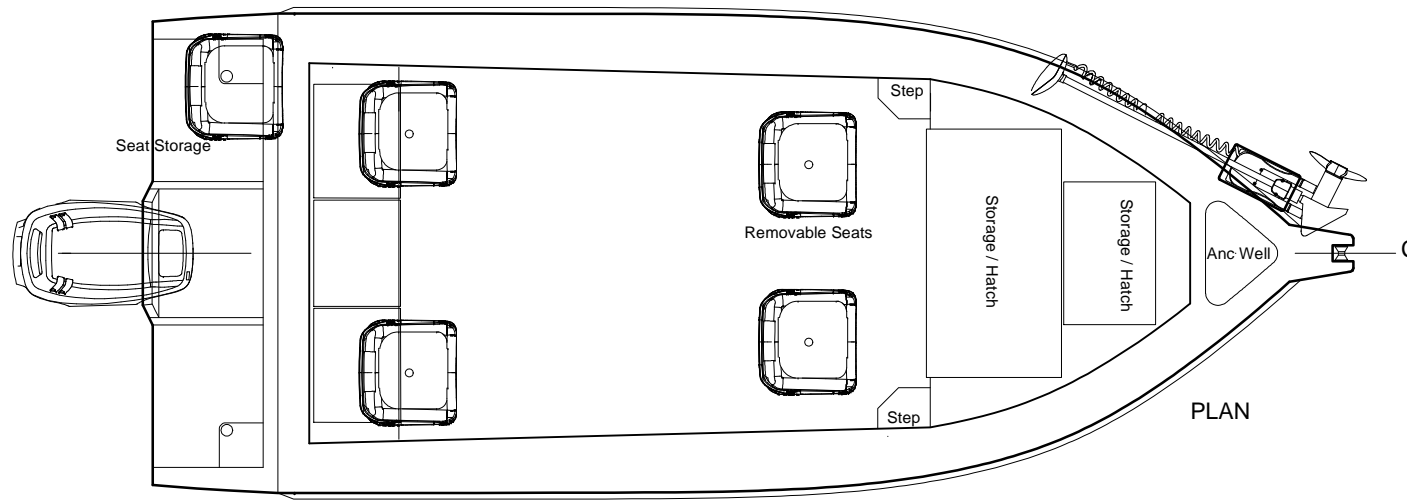


# 5.6m ADVENTURER

## GENERAL ARRANGEMENT

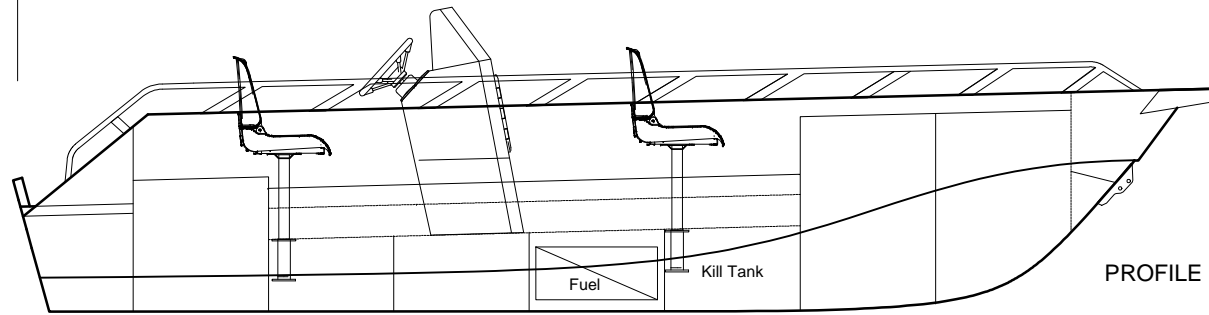
### PRINCIPAL PARTICULARS

LOA:	5.8 m
LENGTH:	5.6 m
BEAM:	2.3 m
DEPTH:	1.07 m
DRAFT:	0.29m (HULL)
D/RISE:	15° @ TRAN.
WEIGHT:	950kg DRY -w- 115HP
ENG:	25" (X-LONG)
H.P.:	150 Hp (Max. 188Hp)

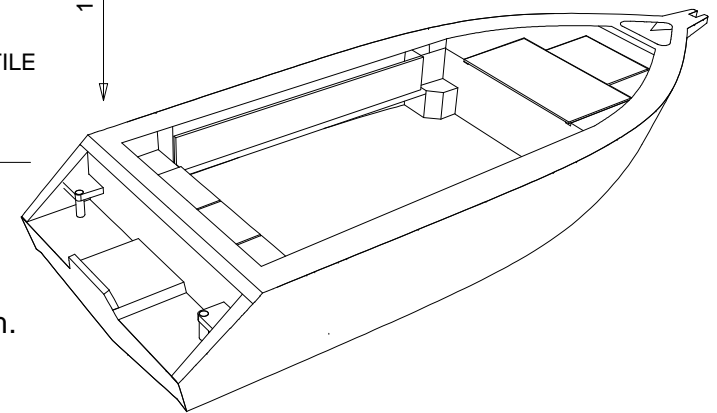
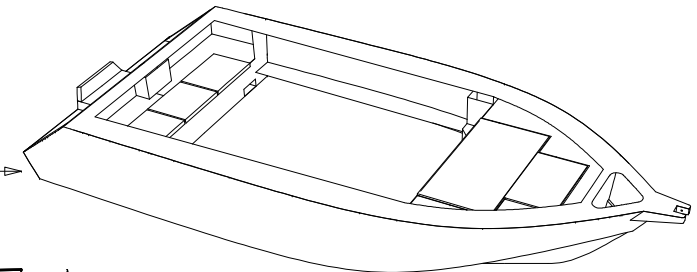
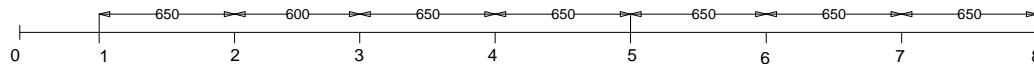


5631

5786



1069



ACTUAL KIT MIGHT DIFFER FROM PICTURES SHOWN

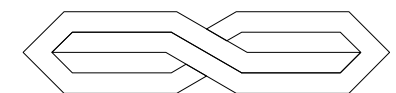


PLATE ALLOY

www.platealloy.com

Note: Layout can be customised by owner  
Owner Advised to provide sun protection

AUSTRALIAN BUILDERS PLATE

BUILDER "YOUR NAME"

HIN AU- "SEE REGISTRATION"

Max 7 = 187 hp

= 275 kg

Max 7 = 630 kg

Max 7 + 7 + 7 = 1100 kg

Buoyancy BASIC Flotation

Alteration of the boat's hull or permanent fittings may invalidate the particulars on this plate.

A REDUCTION IN MAXIMUM NUMBER OF PERSONS MUST BE MADE IN ADVERSE WEATHER CONDITIONS OR WHEN ON THE OPEN SEA.

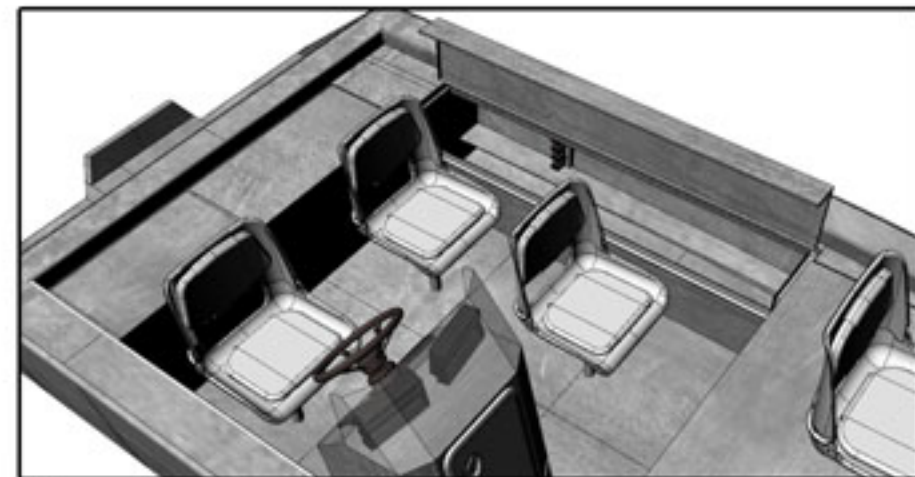
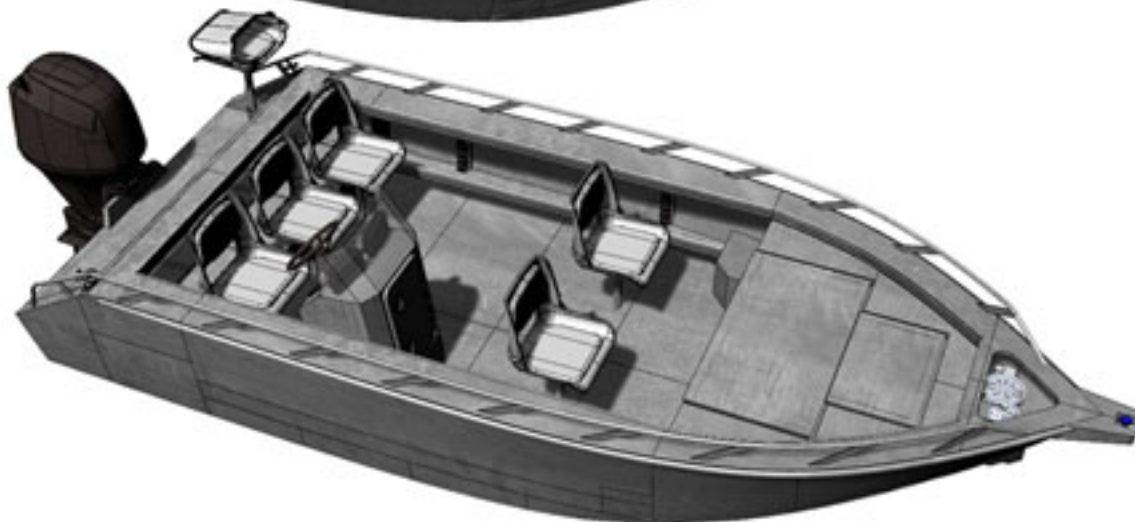
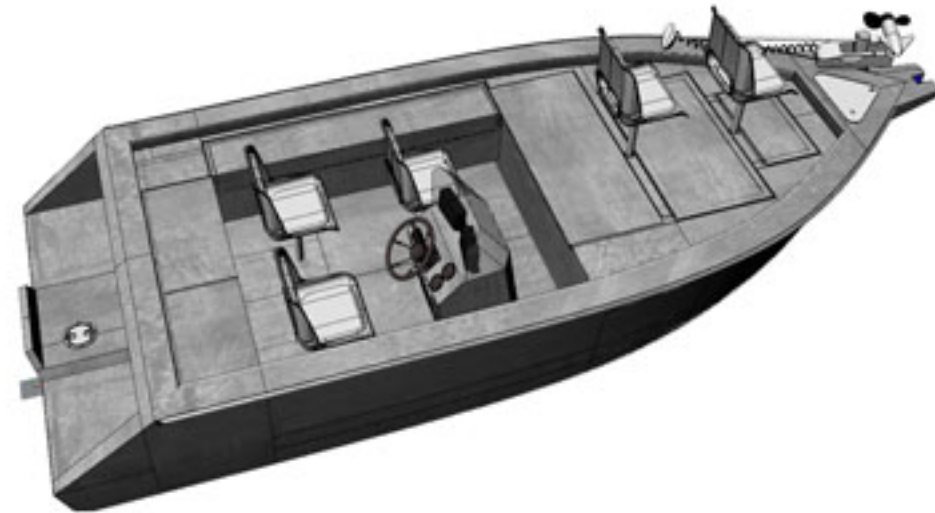
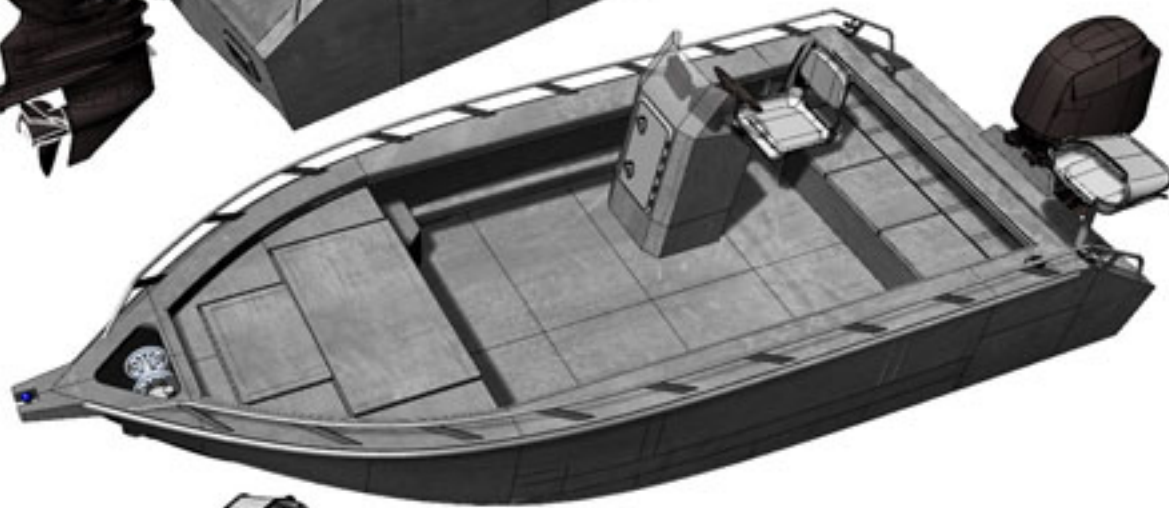
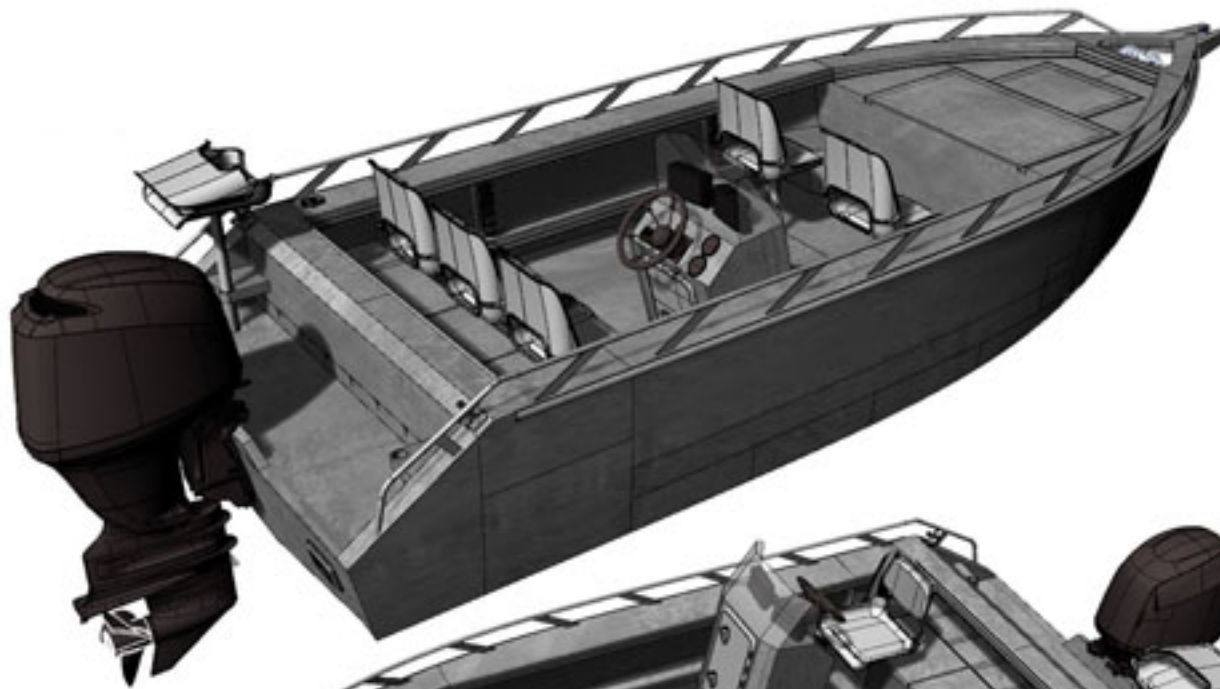
- Design in compliance with AS1799-1 2009
- Structure in accordance with ISO 12215
- material:
  - Bottom, Chine, Transom & Stringers, 5mm 5083 aluminium.
  - Sides, Deck & Hatch etc. 4mm & 3mm
- Builders plate, Jig, Drawings & Photo CD included with kit.
- Bollards, Scuppers, Inspection port & Drain plug included in the kit.
- 5 days per week helpdesk available
- Customization available.
- Flotation foam & most fit out parts available, check catalogue for pricing.
- HIN number engraved in kit & registered.

# 5.6 ADVENTURER



**PLATE ALLOY**

[www.platealloy.com](http://www.platealloy.com)



.....include casting deck option.

# 5.6 ADVENTURER



**PLATE ALLOY**

[www.platealloy.com](http://www.platealloy.com)



Different Console Option available, Custom change include casting deck option.