

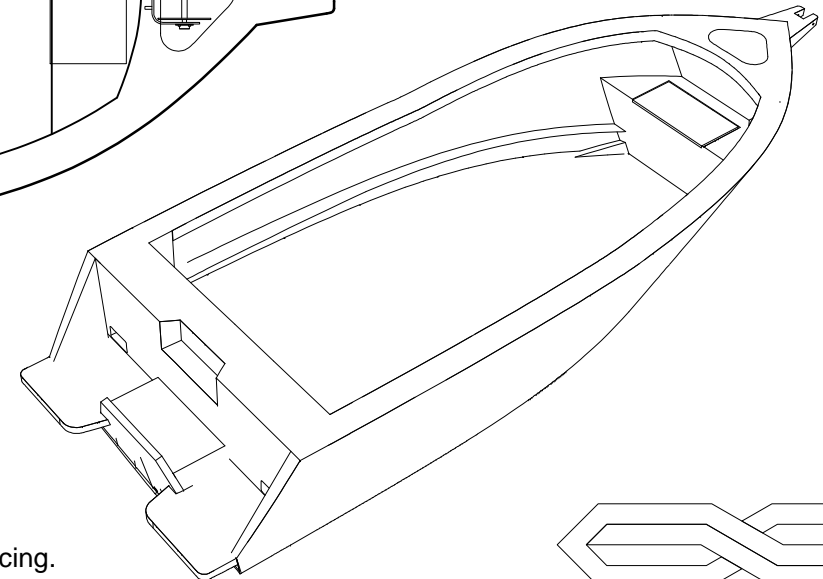
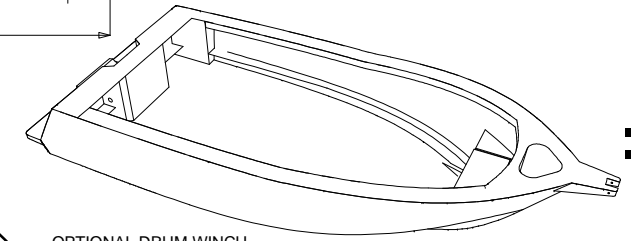
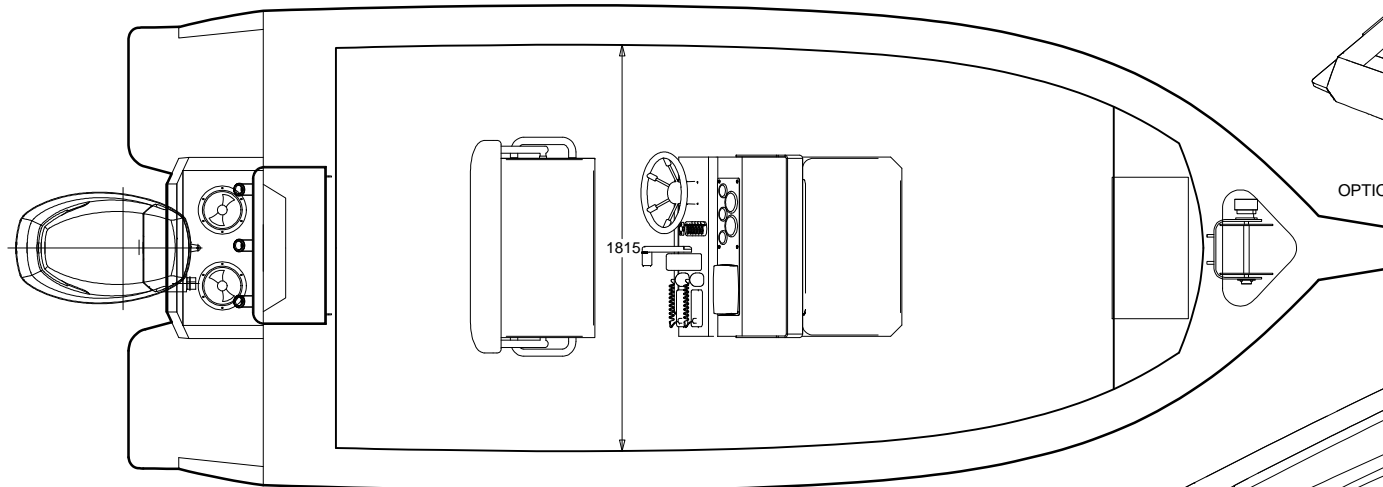
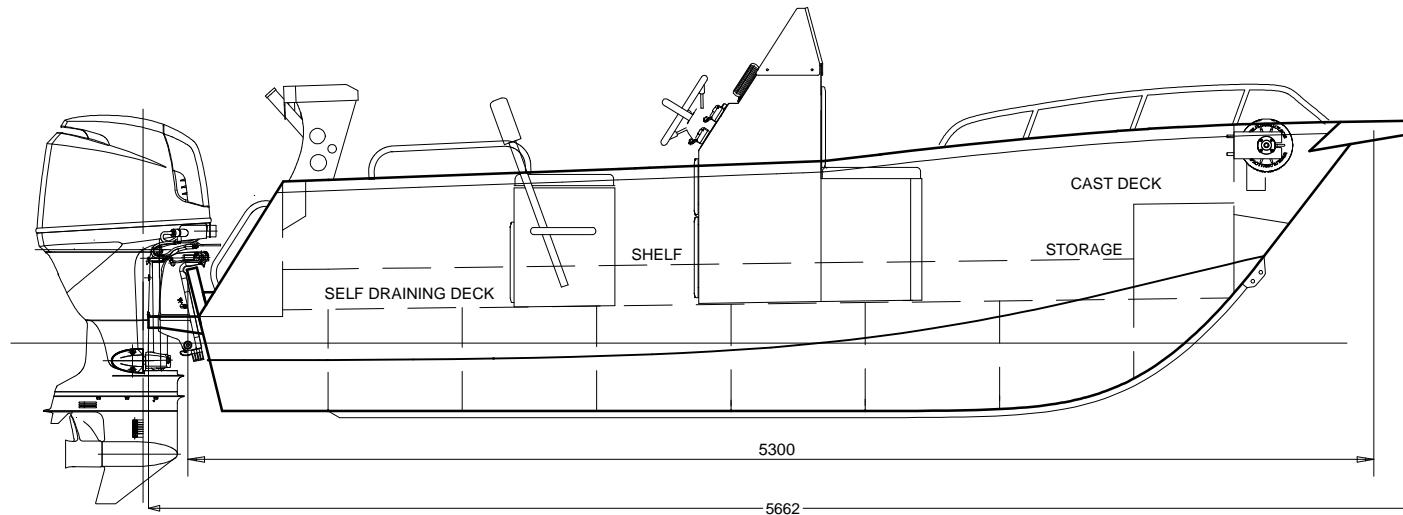
5.3m CCON-MAXI

GENERAL ARRANGEMENT

PRINCIPAL PARTICULARS

LOA:	5.30 m (Hull Only)
BEAM:	2.25m
DEPTH:	1.1m
DRAFT:	0.275m (HULL)
D/RISE:	16° @ TRAN.
DISPL:	950kg DRY -w- 90HP

Boat hull to be foam filled.



www.platealloy.com

○ AUSTRALIAN BUILDERS PLATE ○

BUILDER "YOUR NAME"

HIN AU "SEE REGISTRATION"

Max 125 hp
220 kg

Max 5 400 kg

Max 700 kg

Buoyancy BASIC Flotation

Alteration of the boat's hull or permanent fittings may invalidate the particulars on this plate.

A REDUCTION IN MAXIMUM NUMBER OF PERSONS MUST BE MADE IN ADVERSE WEATHER CONDITIONS OR WHEN ON THE OPEN SEA.

- Design in compliance with AS1799-1 2009
- Structure in accordance with ISO 12215
- Entire kit 4mm 5083 aluminium.
- Builders plate, Jig, Drawings & Photo CD included with kit.
- Bollards, Scuppers, Inspection port & Drain plug included in the kit.
- 5 days per week helpdesk available
- Customization available.
- Flotation foam & most fit out parts available, check catalogue for pricing.
- HIN number engraved in kit & and registered.

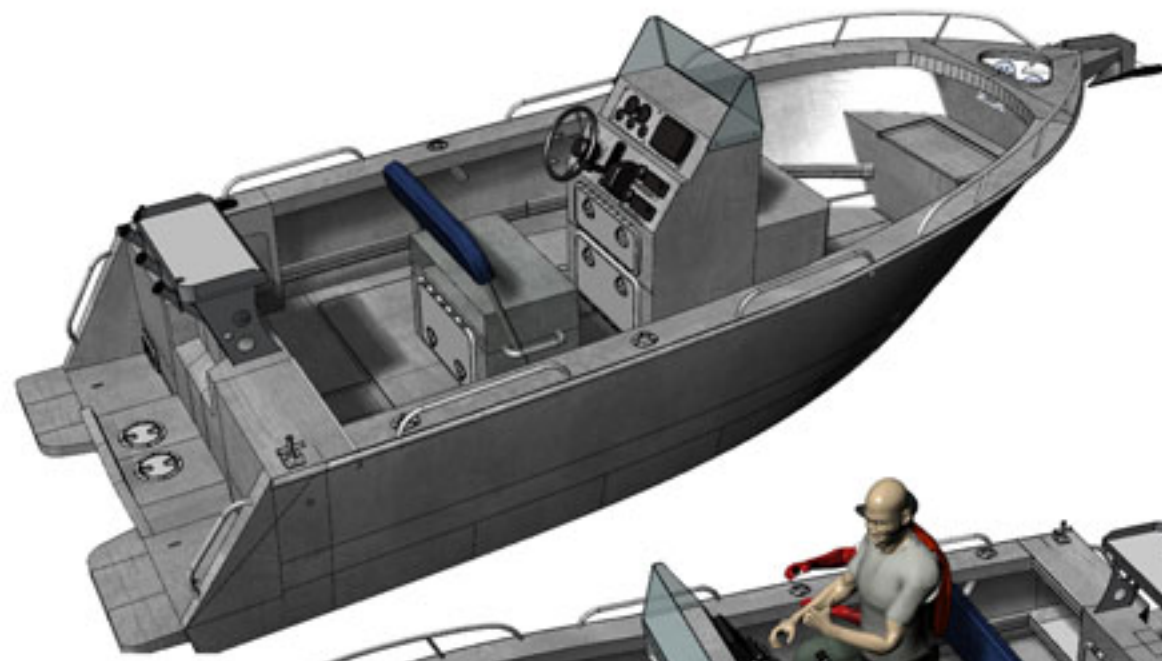


5.3 Centre Console



PLATE ALLOY

www.platealloy.com



Different Console Option available, Custom change include casting deck option.



5.3 Centre Console



PLATE ALLOY

www.platealloy.com

