

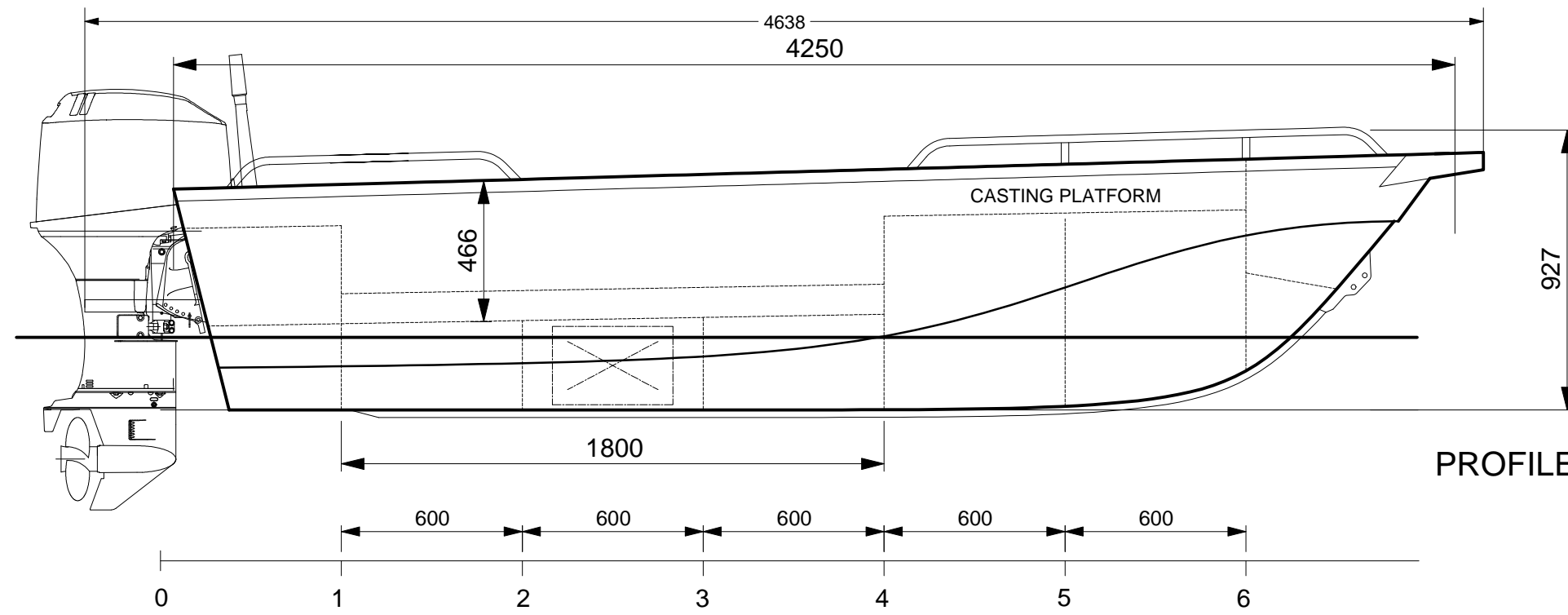
4.25m Adventurer

GENERAL ARRANGEMENT

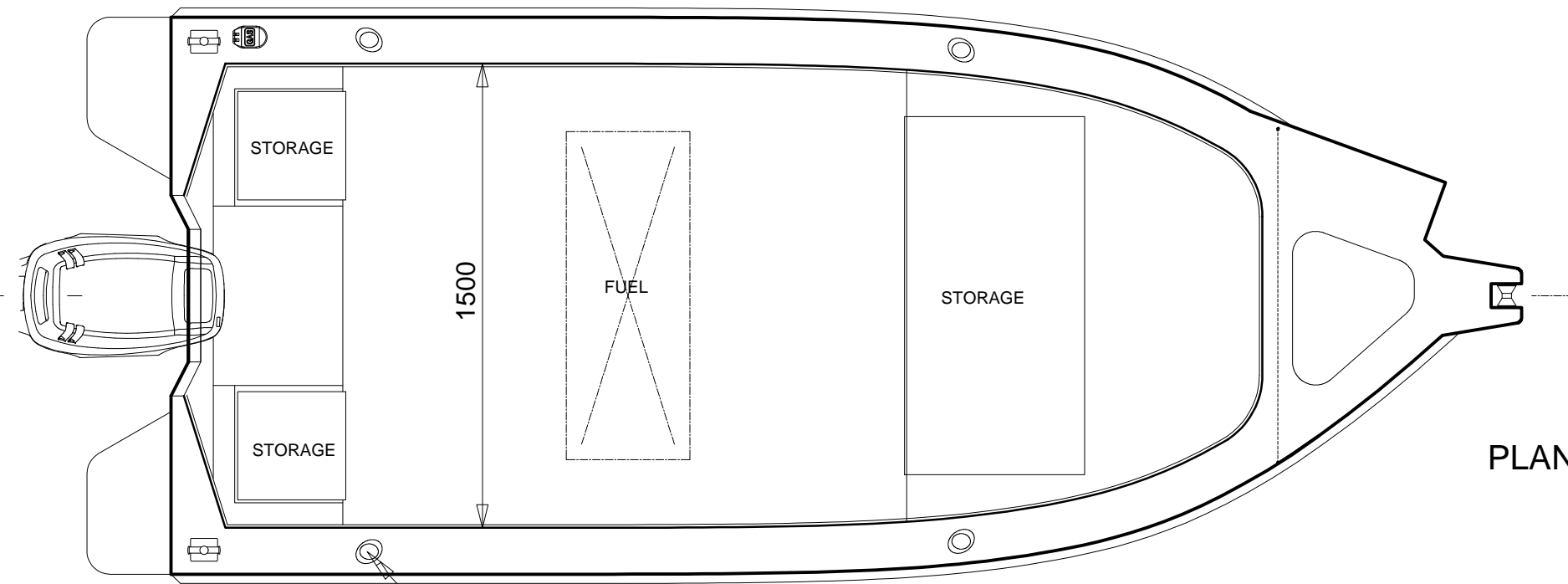
PRINCIPAL PARTICULARS

LOA:	4.64 m
LENGTH:	4.25 m
BEAM:	1.8 m
DEPTH:	0.73 m
DRAFT:	0.24m (HULL)
D/RISE:	12° @ TRAN.
DISPL:	350kg DRY -w- 40HP
ENG:	20" (LONG)

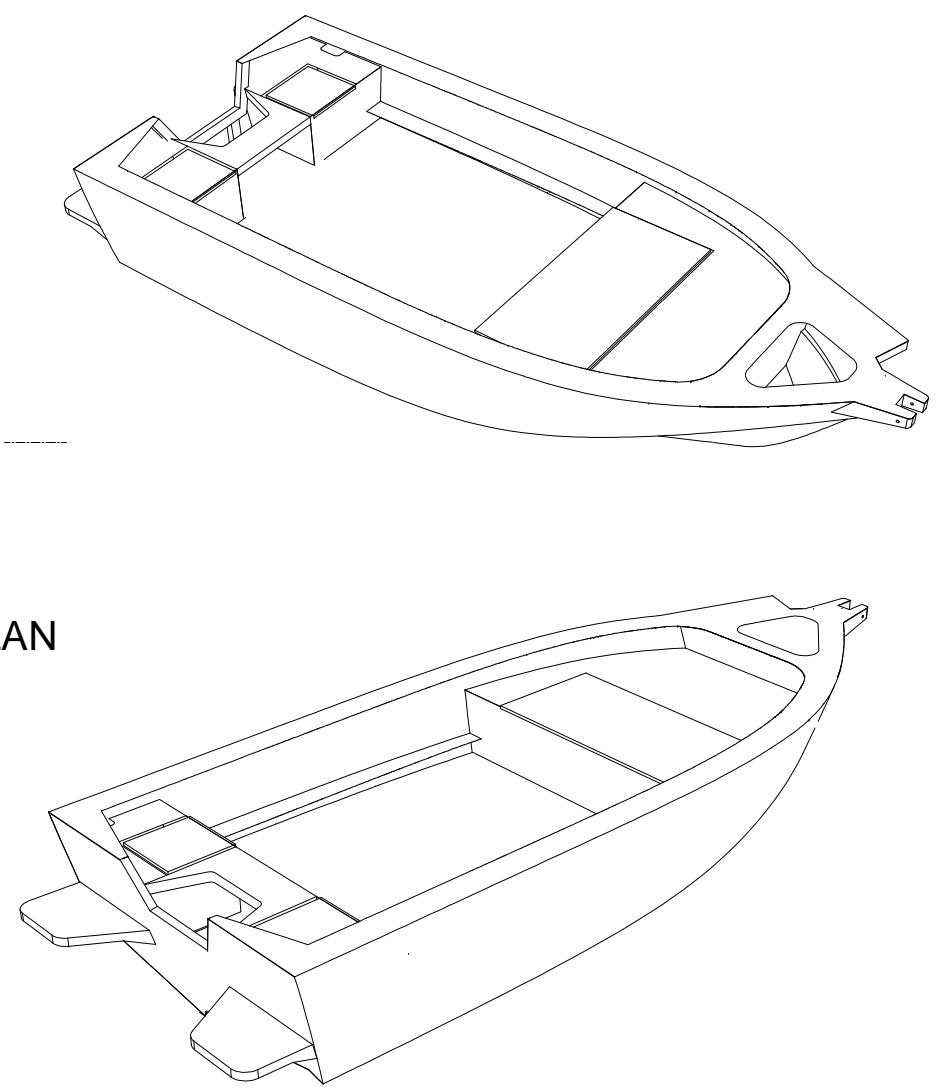
Boat hull to be foam filled.



PROFILE



PLAN



OPTIONAL WELD ON ROD HOLDERS

AUSTRALIAN BUILDERS PLATE

BUILDER "YOUR NAME"

HIN AU- "SEE REGISTRATION"

Max 40 hp
75 kg

Max 3 270 kg

Max 425 kg

Buoyancy BASIC Flotation

⚠
A REDUCTION IN MAXIMUM NUMBER OF PERSONS MUST BE MADE IN ADVERSE WEATHER CONDITIONS OR WHEN ON THE OPEN SEA.

- Design in compliance with AS1799-1 2009
- Structure in accordance with ISO 12215
- Material:
 - bottom/chine/stringers/transom plating: 4mm 5083 aluminium.
 - all other plating 3mm 5083 aluminium 6061 Aluminium
- Builders plate, Jig, Drawings & Photo CD included with kit.
- Bollards, Scuppers, Inspection port & Drain plug included in the kit.
- 5 days per week helpdesk available
- Customization available.
- Flotation foam & most fit out parts available, check catalogue for pricing.
- HIN number engraved in kit & and registered.

ACTUAL KIT MIGHT DIFFER FROM PICTURES SHOWN

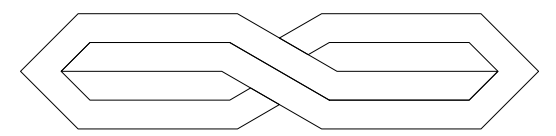


PLATE ALLOY

Note: Layout can be customised by owner
Owner Advised to provide sun protection

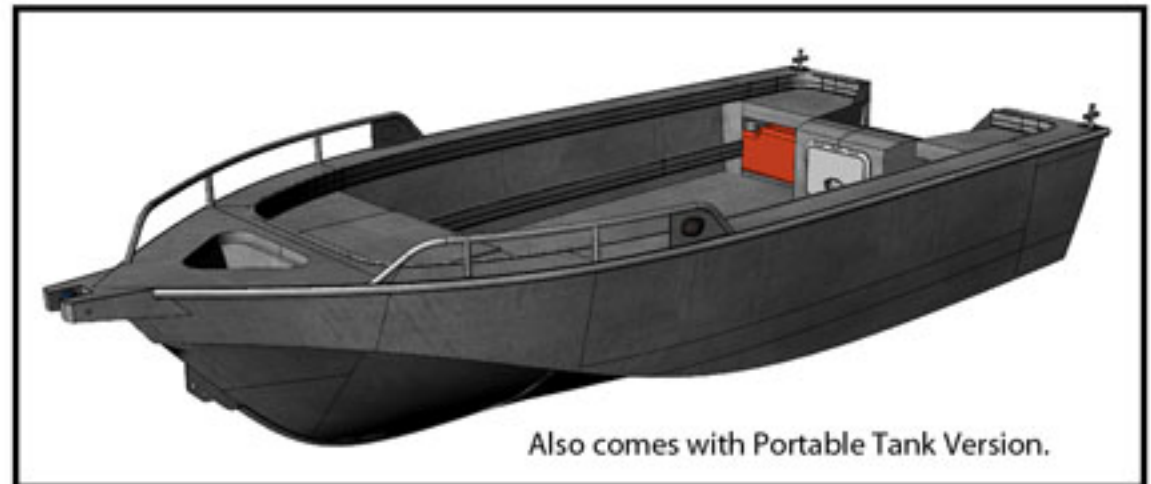
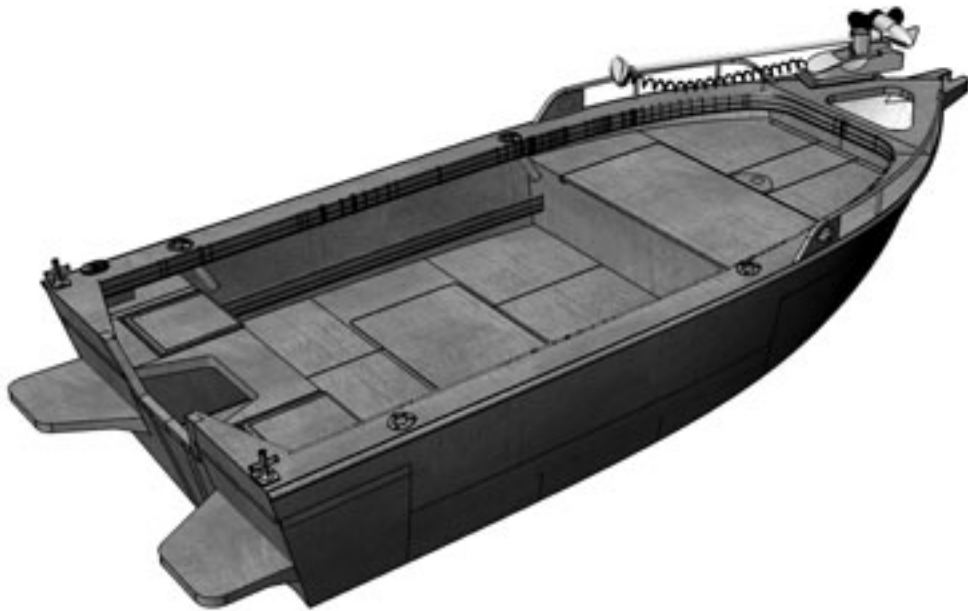
www.platealloy.com

4.25 ADVENTURER



PLATE ALLOY

www.platealloy.com



Also comes with Portable Tank Version.

4.25 ADVENTURER



PLATE ALLOY

www.platealloy.com

